

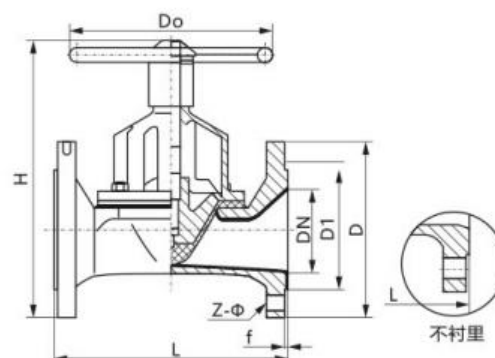
Straight Through Type of Rubber lined diaphragm valve (EG46J-10)

Main parts and materials

Name/Material	CI	WCB	CF8	CF3	CF8M	CF3M
Body	CI	WCB	CF8	CF3	CF8M	CF3M
Diaphragm	EPDM/NR/IIR	EPDM/NR/IIR	EPDM/NR/II R	EPDM/NR/II R	EPDM/NR/IIR	EPDM/NR/IIR
Lined	EPDM/NR/IIR					
Seat	EPDM/NR/IIR					
Bolt/Nut	B7/2H	B7/2H	B8/8	B8/8	B8M/8M	B8M/8M

Technical Specification

Design&Manufacture Standard	GB12239		GB12239
FTF Dimension Standard	BS5156		BS5156
Flange standard	BS4504		ASME B16.5
Inspection & Test Standard	HG/T13927, JB/T9092		API 598
Normal Diameter	DN25~DN300		1"~12"
Normal Pressure	1.0MPa	1.6MPa	150LB
Test pressure	Shell Test	1.5MPa	1.5MPa
	High Pressure Test	1.1MPa	1.1MPa
	Low Pressure Test	0.6MPa	0.6MPa
Temperature Range	EPDM:-29°C~110°C, NR:-29°C~80°C, IIR:-29°C~110°C		
Applicable Medium	General corrosive medium and abrasive material		



The main connection size

DN (mm)	PNS (Inch)	Normal pressure (Mpa)	Working pressure (Mpa)	L	D	D1	Z-Φ d	f	H	Do
20	3/4	1.0	1.0	117	105	75	4-14	2		
25	1			127	115	85	4-14	2	146	120
32	1-1/4			148	140	100	4-18	2	152	120
40	1-1/2			159	150	110	4-18	2	152	120
50	2			190	165	125	4-18	2	163	120
65	2-1/2			216	185	145	4-18	2	205	230
80	3			254	200	160	8-18	2	220	230
100	4			305	220	180	8-18	2	262	280
125	5		0.6	356	250	210	8-18	3	290	280
150	6			406	285	240	8-22	3	368	363
200	8			521	340	295	8-22	3	410	363
250	10		0.4	635	395	350	12-22	3	559	483
300	12			749	445	400	12-22	3	625	576